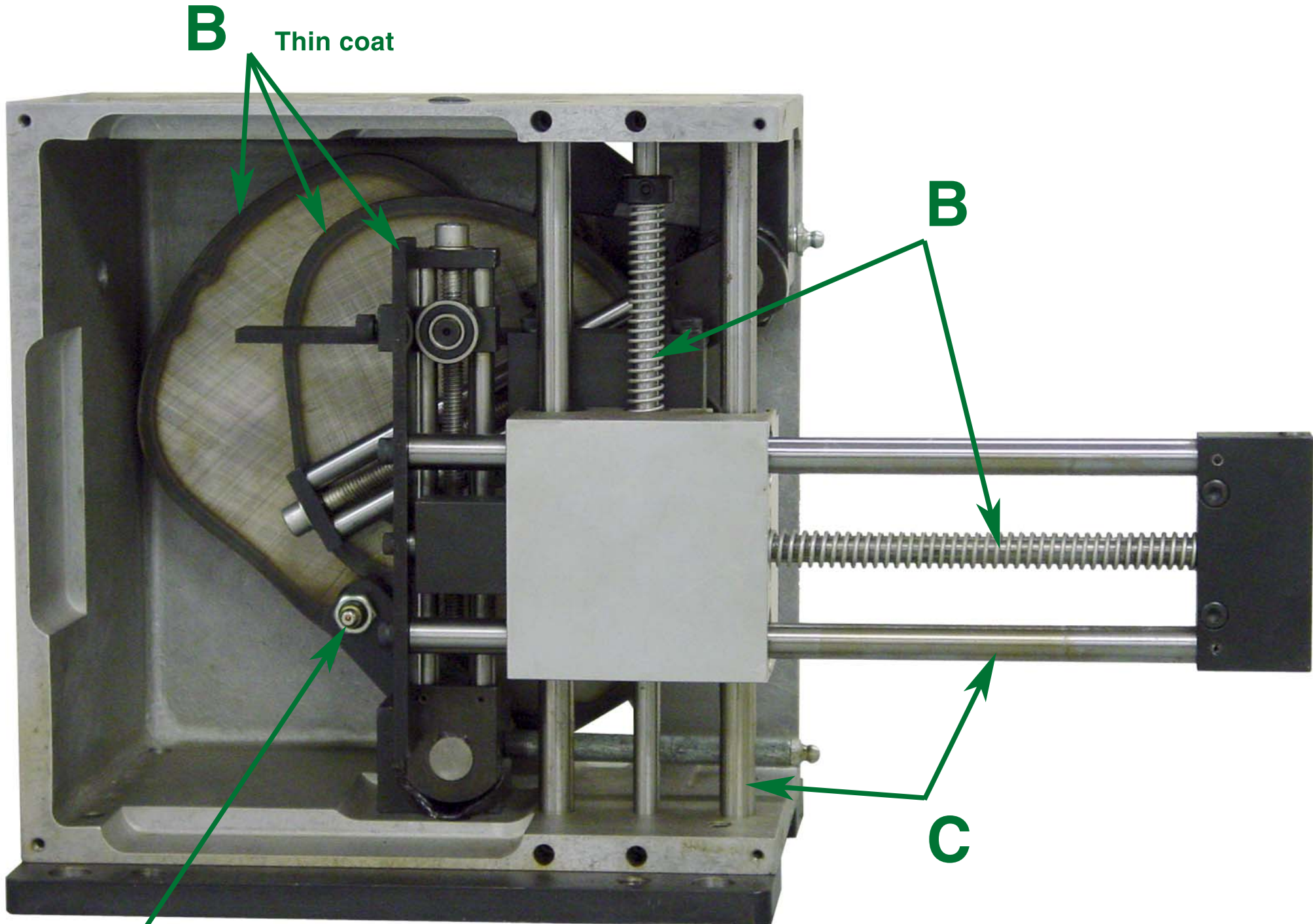


A

A - Zirk Fittings - Exxon lidok EPO grease for pivot pins & cam follower

B - Cam Edge, Yoke Plates - Thin film coat of Lubriko M-24 and spring rods

C - Rods & Felt Wipers - SAE-10 (spindle oil)



B Thin coat

B

C

A Access through side cover plate

B Thin coat

C

C Highlighting felt wipers

A Access through front cover plate

